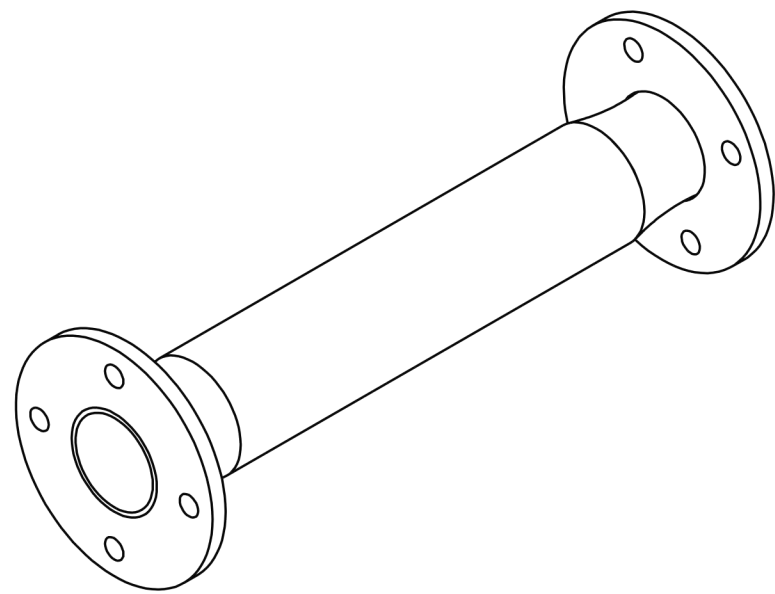


Model	Flange Detail - 316SS Table E						Con. Reducer - 316SS		Welded Pipe - 316SS			Overall Length		Approx. Weight Kg's
	A (mm)	B (mm)	C (mm)	# of Holes	D (mm)	E (mm)	Size (mm)	Schedule	Nominal Pipe Size	F (mm)	Schedule	G (mm)	Tolerance + or -	
SOL20100	65	165	18	4	127	10	65x50	10	65	73.025	10	404	5	10
SOL30000	80	185	18	4	146	11	80x65	10	75	88.9	10	423	5	13
SOL54000	100	215	18	8	178	13	100x80	10	100	114.3	10	461	5	16
SOL96000	125	255	18	8	210	14	125x100	10	125	141.3	10	554	5	24
SOL170400	150	280	22	8	235	17	150x125	40	150	168.275	40	580	5	40
SOL240000	200	335	22	8	292	19	200x150	40	200	219.075	40	604	5	70
SOL324000	250	405	22	12	356	22	250x200	40	250	273.05	40	706	5	90



NAME	SIGNATURE	DATE	TITLE:	Solari Water Conditioners Flanged Model Specifications	
DRAWN					
CHK'D				DWG NO. SOL FLG : 002	
APPV'D					
MFG			MATERIAL:	316SS	
Q.A					
			WEIGHT:	SCALE:1:5	
				SHEET 1 OF 1	

A3